

# 1/2"sq. WHEEL NUT SOCKET (SEMI-LONG/LONG)



Long (22mm)  
**No.B38ZL-22H**  
Compatible Vehicles  
Toyota Land Cruiser  
200 series,  
70 series, etc.

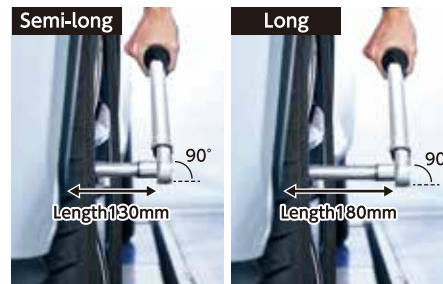
Semi-long (19mm)  
**No.B38ZM-19H**  
Compatible Vehicles  
GR86, BRZ, VW,  
Subaru, etc.

Semi-long (17mm)  
**No.B38ZM-17H**  
Compatible Vehicles  
Crown/Lexus  
wheel bolt models

## Now available for larger bodies! New Semi-Long (17mm/19mm) and Long (22mm) Sockets for 12.7sq. Wheel Nuts.

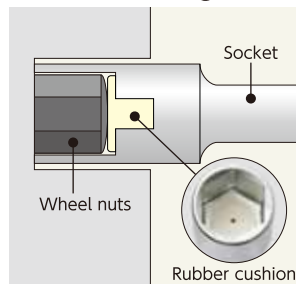
With the trend of larger vehicle bodies, we've enhanced our collection of wheel nut sockets. By ensuring adequate workspace, safe operations can be performed without interference with the body or tires. This new range is compatible with wheel nut and wheel bolt tightening for a variety of vehicles, from Japanese to European models.

Ensuring space between the body and tools. Enabling safe maintenance work.



By securing space between the body and tires, you can work in the correct posture for safe and efficient maintenance.

Equipped with a rubber cushion to protect wheel nuts from damage.



Even when tightening or loosening wheel nuts, which requires a lot of force, a socket with a rubber cushion will not damage the plating or paint.

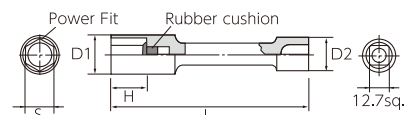
### 1/2"sq. WHEEL NUT SOCKET (SEMI-LONG/LONG)

No.	S(Hexagon)	D1	D2	H	L	Weight(g)	⊖
B38ZM-17H	17	24	22	22	130	260	5
B38ZM-19H	19	26	22	24	130	230	5
B38ZL-22H	22	29.5	22	27	180	360	5

- special socket wrench used to loosen and tighten wheel nuts on automobiles.
- With a total length of 130mm (semi-long) or 180mm (long), it is specially designed to fit the body shape.
- Long socket is the perfect length for RVs, allowing you to work without using an extension bar.
- Improve usability when used in conjunction with a torque wrench.
- Comes with a rubber cushion that is gentle on plated and painted nuts.

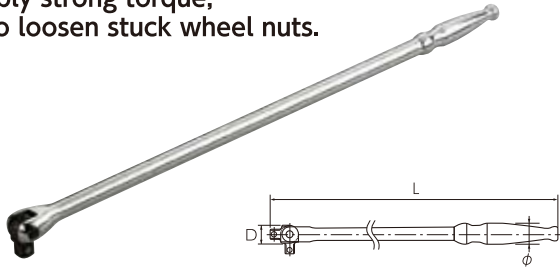


•It is made specifically for wheel nuts, its structure has a low load capacity.



Compatible Vehicles	Semi-long socket	B38ZM-17H : Crown/Lexus wheel bolt models B38ZM-19H : GR86, BRZ, VW, Subaru, etc.
	Long socket	B38ZL-22H : Toyota Land Cruiser 200 series, 70 series, etc.

Easily apply strong torque,  
helping to loosen stuck wheel nuts.



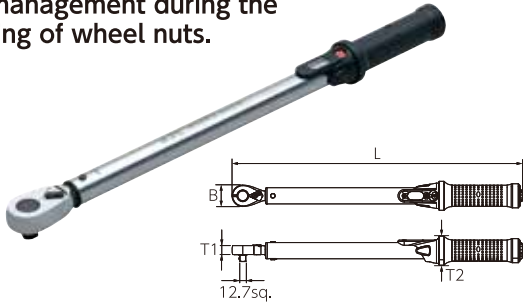
### 1/2"sq. BREAKER BAR (LONG)

No.	D	Grip Diameter (φ)	L	Weight (kg)	☐
BS4L	22	21	598.8	1.1	1



- Hold the center of the grip as your hand may get pinched in the drive unit.
- Due to its longer length, it's easier to apply excessive load, so be cautious of over-torquing.
- Insert the square drive all the way in.

For torque management during the  
final tightening of wheel nuts.

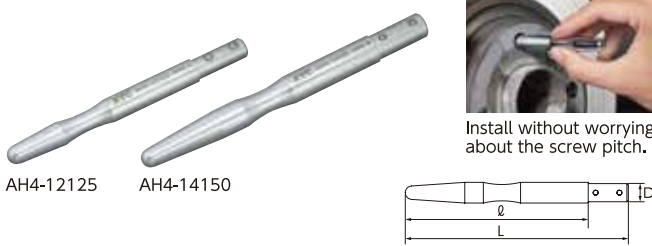


### 1/2"sq. TORQUE WRENCH PRE-SET TYPE

No.	Torque Measurement Range (N·m)	Minimum scale	L	B	T1	T2	Weight (kg)	☐
GW200-04	40~200	1	531.3	39.5	18	44.5	1.3	1

- Measurement direction is to the right (clockwise), measurement accuracy is ±3%.
- Use a highly visible scale, allowing for more comfortable torque adjustment work.
- Comes with a plastic case for convenient storage.
- Grip is made of elastomer resin, which is resistant to deterioration and provides a good fit.
- Use a locking mechanism to prevent inadvertent changes to the torque setting.

Quickly attach and detach with one touch.  
Guide pin exclusively for vehicles with wheel bolts.



Install without worrying about the screw pitch.

### QUICK WHEEL GUIDE PINS

No.	L	ℓ	D	Weight (g)	☐
AH4-12125	125	98	10,2	90	1
AH4-14150	150	123	12,2	145	1

- Special guide pin that helps align the wheels when installing them on vehicles that use wheel bolts and prevents the wheels from falling off.
- Have a ball plunger that can be attached and detached with one touch.
- Wheel bolt size: AH4-12125: M12, AH4-14150: M14
- Compatible screw pitch sizes: AH4-12125: 1.25mm, 1.5mm, 1.75mm, AH4-14150: 1.25mm, 1.5mm

Special socket for tightening and loosening wheel nuts



### 1/2"sq. WHEEL NUT SOCKET (SEMI-LONG)

No.	S (Hexagon)	D1	D2	H	L	Weight (g)	☐
B38ZM-17H	17	24	22	22	130	260	5
B38ZM-19H	19	26	22	24	130	230	5
B38ZM-21H	21	27.5	22	26	130	230	5

### 1/2"sq. WHEEL NUT SOCKET (LONG)

No.	S (Hexagon)	D1	D2	H	L	Weight (g)	☐
B38ZL-17H	17	24	24	22	180	340	5
B38ZL-19H	19	26	24	24	180	345	5
B38ZL-21H	21	27.5	24	26	180	345	5
B38ZL-22H	22	29.5	22	27	180	360	5

- Special socket wrench used to loosen and tighten wheel nuts on automobiles.
- With a total length of 130mm (semi-long) or 180mm (long), it is specially designed to fit the body shape.
- Long socket is the perfect length for RVs, allowing you to work without using an extension bar.
- Improve usability when used in conjunction with a torque wrench.
- Comes with a rubber cushion that is gentle on plated and painted nuts.



•It is made specifically for wheel nuts, its structure has a low load capacity.

## KTC KYOTO TOOL CO., LTD.

128 Sayama-Shinkaichi, Kumiyama Kuse-gun, Kyoto 613-0034, Japan

Official site: en.ktc.jp

- All sizes on this leaflet are indicated as millimeter unless mentioned.
- There might be size differences between those mentioned on this leaflet and the actual products for the product tolerance.
- Product design might be changed for the improvement without the notifications.

