

# Next Generation RFID Tools

Introducing 'nepros ID', the latest innovation in RFID built-in tooling



nepros ID

nepros ID

**KTC KYOTO TOOL CO., LTD.**

128 Sayama-Shinkaichi, Kumiyama-cho Kuse-gun, Kyoto 613-0034, Japan  
Official site: [en.ktc.jp](http://en.ktc.jp)

# IoT-Ready nepros ID

## – a groundbreaking innovation

nepros ID is a revolutionary line of IoT-ready tools poised to transform tool management in the aerospace and MRO industries, realized by the convergence of KTC's storied legacy of excellence in tool manufacturing and Xerafy's innovative RF technology, bringing 'Connected Tools' to the market to redefine industry benchmarks.



## Built-in RF-Technology



nepros ID series not only deliver unparalleled RF-performance but also boast high strength and durability, making them ideal for use in harsh and metallic environments.

RF-Technology designed and manufactured with the tool, ensuring seamless visibility and eliminating the risk of FOD.

## Omni-directional

The nepros ID tools are designed for omni-directional readability, meaning they possess the capability of transmitting and receiving radio signals in any direction.



nepros-ID can seamlessly integrate with users' existing tool management systems, providing scalability and ease of use for businesses. nepros-ID emerges as a strategic asset for enterprises seeking to optimize tool management processes.



1/4"sq. SOCKET (6-point)



No.	S(inch)	D1	D2	D3	H	L	Weight(g)
XNB2-1/8	1/8	6	12	19	2.5	18	10
XNB2-5/32	5/32	6	12	19	3	18	10
XNB2-3/16	3/16	7.1	12	19	3	18	10
XNB2-7/32	7/32	8.1	12	19	5	20	12
XNB2-1/4	1/4	9	12	19	5	20	11
XNB2-9/32	9/32	9.8	12	19	5	20	11
XNB2-5/16	5/16	10.8	12	19	5.5	20.5	11
XNB2-11/32	11/32	12	12	19	5.5	20.5	12
XNB2-3/8	3/8	13	17	24	5.5	20.5	25
XNB2-7/16	7/16	14.5	17	24	6	21	25
XNB2-1/2	1/2	17	17	24	7.5	21	25
XNB2-9/16	9/16	18.5	17	24	8.5	21.5	26

·ASME B107.1, ASE AS954-E

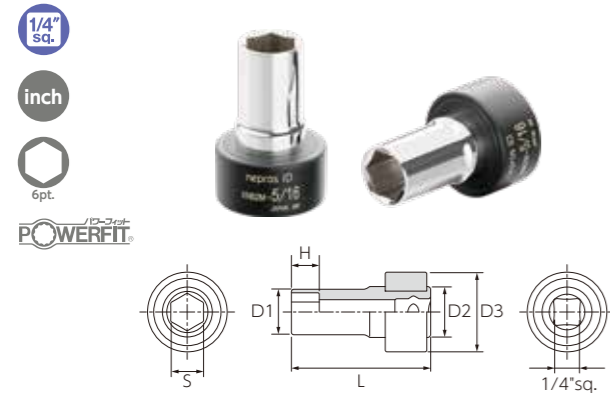
1/4"sq. SOCKET (12-point)



No.	S(inch)	D1	D2	D3	H	L	Weight(g)
XNB2-1/8W	1/8	6	12	19	2.5	18	8
XNB2-5/32W	5/32	6	12	19	3	18	8
XNB2-3/16W	3/16	7.1	12	19	3	18	8
XNB2-7/32W	7/32	8.1	12	19	5	20	10
XNB2-1/4W	1/4	9	12	19	5	20	9
XNB2-9/32W	9/32	9.8	12	19	5	20	9
XNB2-5/16W	5/16	10.8	12	19	5.5	20.5	9
XNB2-11/32W	11/32	12	12	19	5.5	20.5	10
XNB2-3/8W	3/8	13	17	24	5.5	20.5	21
XNB2-7/16W	7/16	14.5	17	24	6	21	21
XNB2-1/2W	1/2	17	17	24	7.5	21	21
XNB2-9/16W	9/16	18.5	17	24	8.5	21.5	22

·ASME B107.1, ASE AS954-E

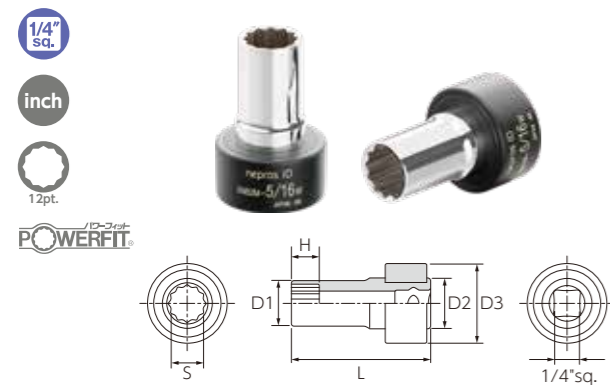
1/4"sq. SEMI DEEP SOCKET (6-point)



No.	S(inch)	D1	D2	D3	H	L	Weight(g)
XNB2M-3/16	3/16	7.1	12	19	3	28	14
XNB2M-7/32	7/32	8.1	12	19	5	30	15
XNB2M-1/4	1/4	9	12	19	5	30	15
XNB2M-9/32	9/32	9.8	12	19	5	30	15
XNB2M-5/16	5/16	10.8	12	19	5.5	30	17
XNB2M-11/32	11/32	12	12	19	5.5	30	18
XNB2M-3/8	3/8	13	17	24	5.5	30	33
XNB2M-7/16	7/16	14.5	17	24	6	32	35
XNB2M-1/2	1/2	17	17	24	7.5	32	37
XNB2M-9/16	9/16	18.5	17	24	8.5	32	37

·ASME B107.1

1/4"sq. SEMI DEEP SOCKET (12-point)

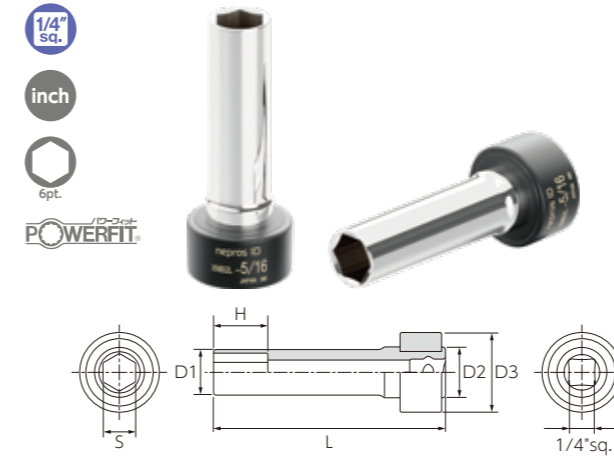


No.	S(inch)	D1	D2	D3	H	L	Weight(g)
XNB2M-7/32W	7/32	8.1	12	19	5	30	13
XNB2M-1/4W	1/4	9	12	19	5	30	13
XNB2M-9/32W	9/32	9.8	12	19	5	30	13
XNB2M-5/16W	5/16	10.8	12	19	5.5	30	15
XNB2M-11/32W	11/32	12	12	19	5.5	30	16
XNB2M-3/8W	3/8	13	17	24	5.5	30	29
XNB2M-7/16W	7/16	14.5	17	24	6	32	31
XNB2M-1/2W	1/2	17	17	24	7.5	32	33
XNB2M-9/16W	9/16	18.5	17	24	8.5	32	33

·ASME B107.1

· Our products are designed with reference to the standards listed in this catalog.

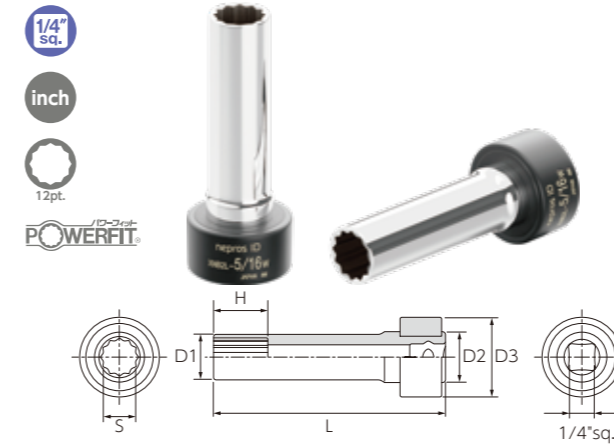
1/4"sq. DEEP SOCKET (6-point)



No.	S(inch)	D1	D2	D3	H	L	Weight(g)
XNB2L-1/8	1/8	6	12	19	5	50	15
XNB2L-5/32	5/32	6	12	19	5	50	16
XNB2L-3/16	3/16	7.1	12	19	5	50	18
XNB2L-7/32	7/32	8.1	12	19	6	50	20
XNB2L-1/4	1/4	9	12	19	6	50	20
XNB2L-9/32	9/32	9.8	12	19	8	50	21
XNB2L-5/16	5/16	10.8	12	19	9	50	24
XNB2L-11/32	11/32	12	12	19	10	50	27
XNB2L-3/8	3/8	13	17	24	11	50	42
XNB2L-7/16	7/16	14.5	17	24	12	50	45
XNB2L-1/2	1/2	17	17	24	14	50	52
XNB2L-9/16	9/16	18.5	17	24	17	50	52

·ASME B107.1, ASE AS954-E

1/4"sq. DEEP SOCKET (12-point)



No.	S(inch)	D1	D2	D3	H	L	Weight(g)
XNB2L-7/32W	7/32	8.1	12	19	6	50	18
XNB2L-1/4W	1/4	9	12	19	6	50	18
XNB2L-9/32W	9/32	9.8	12	19	8	50	19
XNB2L-5/16W	5/16	10.8	12	19	9	50	22
XNB2L-11/32W	11/32	12	12	19	10	50	25
XNB2L-3/8W	3/8	13	17	24	11	50	38
XNB2L-7/16W	7/16	14.5	17	24	12	50	41
XNB2L-1/2W	1/2	17	17	24	14	50	48
XNB2L-9/16W	9/16	18.5	17	24	17	50	48

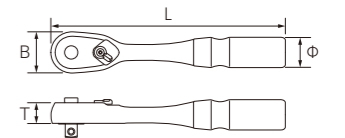
·ASME B107.1, ASE AS954-E

1/4"sq. RATCHET HANDLE



No.	Feed angle	B	φ	T	L	Weight(g)
XNBR290	4°	22	16	11	125	100

·A 1/4" square drive incorporating the world's top-tier Class 90 gears, a 4° feed angle, and a 7-step precision drive mechanism within a compact head.  
 ·The convexly shaped push button facilitates effortless removal and attachment of sockets and other components.  
 ·The lever is sculpted in three dimensions to enhance fingertip access and operational ease, ensuring ergonomic comfort during use.  
 ·JIS B 4636-2, ISO 3315

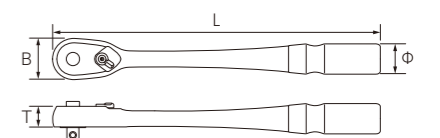


1/4"sq. RATCHET HANDLE (LONG)



No.	Feed angle	B	φ	T	L	Weight(g)
XNBR290L	4°	22	16	11	175	135

·A 1/4" square drive incorporating the world's top-tier Class 90 gears, a 4° feed angle, and a 7-step precision drive mechanism within a compact head.  
 ·The convexly shaped push button facilitates effortless removal and attachment of sockets and other components.  
 ·The lever is sculpted in three dimensions to enhance fingertip access and operational ease, ensuring ergonomic comfort during use.  
 ·JIS B 4636-2, ISO 3315



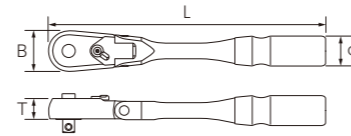
· Function mark is indicated under the product name. For the details, please refer to P.14

**1/4"sq. RATCHET HANDLE (FLEX HEAD)**



No.	Feed angle	B	φ	T	L	Weight(g)
XNBR290F	4°	22	16	11	150	125

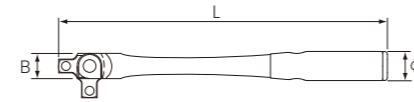
·A 1/4" square drive incorporating the world's top-tier Class 90 gears, a 4° feed angle, and a 7-step precision drive mechanism within a compact head. .  
 ·The push button is convexly shaped for effortless removal/attachment of sockets and other components.  
 ·The lever is 3-dimensionally shaped for easy fingertip access and improved operability.  
 ·Durable resinous holding section for smooth feeling (Flexible pivoting angle)  
 ·JIS B 4636-2, ISO 3315



**1/4"sq. BREAKER BAR**



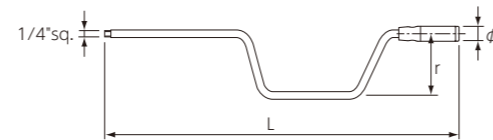
No.	B	Grip diameter (φ)	L	Weight(g)
XNBS2	10.5	16	149	100



**1/4"sq. SPEEDER HANDLE**



No.	r (Turning radius)	Grip diameter (φ)	L	Weight(g)
XBHK2	65	16	387	210

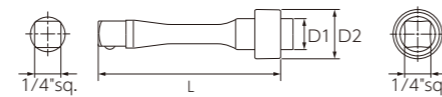


**1/4"sq. EXTENSION BAR**

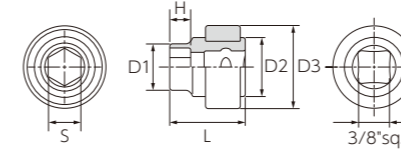


No.	D1	D2	L	Weight(g)
XNBE2-025	12	19	25	13
XNBE2-050	12	19	50	26
XNBE2-075	12	19	75	35
XNBE2-150	12	19	150	64

·The streamlined design minimizes the deflection feel in the hand.  
 ·JIS B 4636-2, ISO 3316



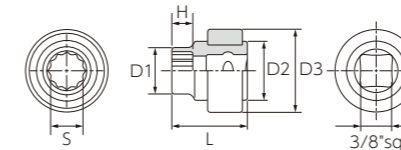
**3/8"sq. SOCKET (6-point)**



No.	S(inch)	D1	D2	D3	H	L	Weight(g)
XNB3-1/4	1/4	9.6	17	24	5	22	23
XNB3-5/16	5/16	11.5	17	24	5.5	22	23
XNB3-11/32	11/32	12.4	17	24	5.5	22	23
XNB3-3/8	3/8	13.4	17	24	5.5	22	23
XNB3-7/16	7/16	15.3	17	24	6	23	24
XNB3-1/2	1/2	17.6	17	24	7.5	24	25
XNB3-9/16	9/16	19.4	17	24	8.5	25	28
XNB3-19/32	19/32	20.3	21	28.6	8.5	26	40
XNB3-5/8	5/8	21.3	21	28.6	9	26	42
XNB3-11/16	11/16	23.3	21	28.6	10	27	46
XNB3-3/4	3/4	25	21	28.6	10.5	27	46
XNB3-13/16	13/16	27	21	28.6	11.5	28	50
XNB3-7/8	7/8	28.8	26	33.4	11.5	28	57
XNB3-15/16	15/16	30.8	26	33.4	12	29	74
XNB3-1	1	32.7	26	33.4	13	30	79

·ASME B107.1, ASE AS954-E

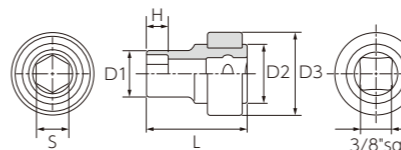
**3/8"sq. SOCKET (12-point)**



No.	S(inch)	D1	D2	D3	H	L	Weight(g)
XNB3-1/4W	1/4	9.6	17	24	5	22	19
XNB3-5/16W	5/16	11.5	17	24	5.5	22	19
XNB3-11/32W	11/32	12.4	17	24	5.5	22	19
XNB3-3/8W	3/8	13.4	17	24	5.5	22	19
XNB3-7/16W	7/16	15.3	17	24	6	23	20
XNB3-1/2W	1/2	17.6	17	24	7.5	24	21
XNB3-9/16W	9/16	19.4	17	24	8.5	25	24
XNB3-19/32W	19/32	20.3	21	28.6	8.5	26	36
XNB3-5/8W	5/8	21.3	21	28.6	9	26	38
XNB3-11/16W	11/16	23.3	21	28.6	10	27	42
XNB3-3/4W	3/4	25	21	28.6	10.5	27	42
XNB3-13/16W	13/16	27	21	28.6	11.5	28	46
XNB3-7/8W	7/8	28.8	26	33.4	11.5	28	53
XNB3-15/16W	15/16	30.8	26	33.4	12	29	70
XNB3-1W	1	32.7	26	33.4	13	30	75

·ASME B107.1, ASE AS954-E

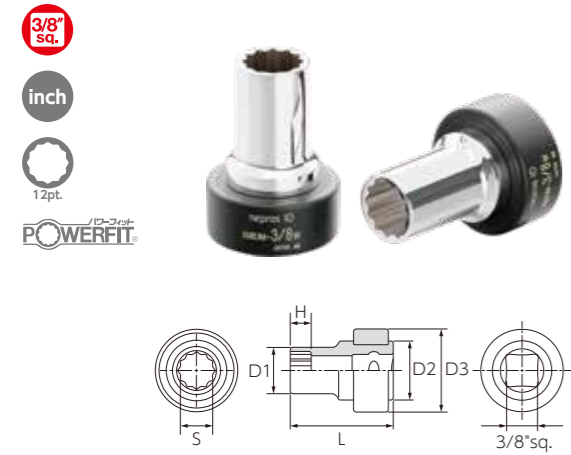
**3/8"sq. SEMI DEEP SOCKET (6-point)**



No.	S(inch)	D1	D2	D3	H	L	Weight(g)
XNB3M-1/4	1/4	9.6	17	24	5	35	29
XNB3M-5/16	5/16	11.5	17	24	5.5	35	30
XNB3M-11/32	11/32	12.4	17	24	5.5	35	32
XNB3M-3/8	3/8	13.4	17	24	5.5	35	32
XNB3M-7/16	7/16	15.3	17	24	6	35	34
XNB3M-1/2	1/2	17.6	17	24	7.5	35	38
XNB3M-9/16	9/16	19.4	17	24	8.5	40	50
XNB3M-19/32	19/32	20.3	21	28.6	8.5	40	60
XNB3M-5/8	5/8	21.3	21	28.6	9	40	62
XNB3M-11/16	11/16	23.3	21	28.6	10	40	68
XNB3M-3/4	3/4	25	21	28.6	10.5	40	73
XNB3M-13/16	13/16	27	21	28.6	11.5	40	79
XNB3M-7/8	7/8	28.8	26	33.4	11.5	40	100
XNB3M-15/16	15/16	30.8	26	33.4	12	40	108
XNB3M-1	1	32.7	26	33.4	13	40	114

·ASME B107.1, ASE AS954-E

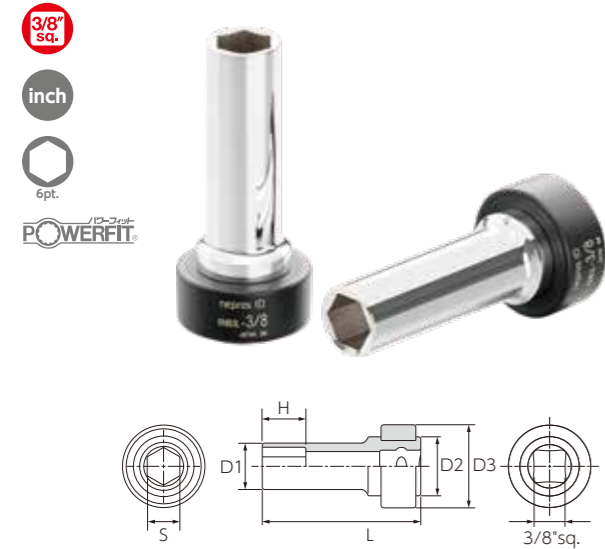
### 3/8"sq. SEMI DEEP SOCKET (12-point)



No.	S(inch)	D1	D2	D3	H	L	Weight(g)
XNB3M-1/4W	1/4	9.6	17	24	5	35	25
XNB3M-5/16W	5/16	11.5	17	24	5.5	35	26
XNB3M-11/32W	11/32	12.4	17	24	5.5	35	28
XNB3M-3/8W	3/8	13.4	17	24	5.5	35	28
XNB3M-7/16W	7/16	15.3	17	24	6	35	30
XNB3M-1/2W	1/2	17.6	17	24	7.5	35	34
XNB3M-9/16W	9/16	19.4	17	24	8.5	40	46
XNB3M-19/32W	19/32	20.3	21	28.6	8.5	40	56
XNB3M-5/8W	5/8	21.3	21	28.6	9	40	58
XNB3M-11/16W	11/16	23.3	21	28.6	10	40	64
XNB3M-3/4W	3/4	25	21	28.6	10.5	40	69
XNB3M-13/16W	13/16	27	21	28.6	11.5	40	75
XNB3M-7/8W	7/8	28.8	26	33.4	11.5	40	96
XNB3M-15/16W	15/16	30.8	26	33.4	12	40	104
XNB3M-1W	1	32.7	26	33.4	13	40	110

·ASME B107.1, ASE AS954-E

### 3/8"sq. DEEP SOCKET (6-point)



No.	S(inch)	D1	D2	D3	H	L	Weight(g)
XNB3L-1/4	1/4	9.6	17	24	6	55	37
XNB3L-5/16	5/16	11.5	17	24	9	55	40
XNB3L-11/32	11/32	12.4	17	24	10	55	42
XNB3L-3/8	3/8	13.4	17	24	11	55	44
XNB3L-7/16	7/16	15.3	17	24	12	55	49
XNB3L-1/2	1/2	17.6	17	24	14	60	63
XNB3L-9/16	9/16	19.4	17	24	17	60	74
XNB3L-19/32	19/32	20.3	21	28.6	17	60	81
XNB3L-5/8	5/8	21.3	21	28.6	17	60	82
XNB3L-11/16	11/16	23.3	21	28.6	21	60	94
XNB3L-3/4	3/4	25	21	28.6	21	60	97
XNB3L-13/16	13/16	27	21	28.6	23	65	118
XNB3L-7/8	7/8	28.8	26	33.4	23	65	152
XNB3L-15/16	15/16	30.8	26	33.4	27	65	161
XNB3L-1	1	32.7	26	33.4	27	65	161

·ASME B107.1, ASE AS954-E

### 3/8"sq. DEEP SOCKET (12-point)



No.	S(inch)	D1	D2	D3	H	L	Weight(g)
XNB3L-1/4W	1/4	9.6	17	24	6	55	33
XNB3L-5/16W	5/16	11.5	17	24	9	55	36
XNB3L-11/32W	11/32	12.4	17	24	10	55	38
XNB3L-3/8W	3/8	13.4	17	24	11	55	40
XNB3L-7/16W	7/16	15.3	17	24	12	55	45
XNB3L-1/2W	1/2	17.6	17	24	14	60	59
XNB3L-9/16W	9/16	19.4	17	24	17	60	70
XNB3L-19/32W	19/32	20.3	21	28.6	17	60	77
XNB3L-5/8W	5/8	21.3	21	28.6	17	60	78
XNB3L-11/16W	11/16	23.3	21	28.6	21	60	90
XNB3L-3/4W	3/4	25	21	28.6	21	60	93
XNB3L-13/16W	13/16	27	21	28.6	23	65	114
XNB3L-7/8W	7/8	28.8	26	33.4	23	65	148
XNB3L-15/16W	15/16	30.8	26	33.4	27	65	157
XNB3L-1W	1	32.7	26	33.4	27	65	157

·ASME B107.1, ASE AS954-E

· Our products are designed with reference to the standards listed in this catalog.

### 3/8"sq. RATCHET HANDLE



No.	Feed angle	B	φ	T	L	Weight(g)
XNBR390A	4°	26	22	14	180	220

- The head has been downsized, lightened, and meticulously balanced, thereby improving the ease of use of the ratchet handle
- Employing an 8-stage claw delivers comparable strength to conventional products, despite its compact dimensions.
- JIS B 4636-2, ISO 3315

### 3/8"sq. RATCHET HANDLE (LONG)



No.	Feed angle	B	φ	T	L	Weight(g)
XNBR390AL	4°	26	22	14	275	355

- Slimming down the conventional head width of 30mm by 4mm not only achieves weight reduction but also enhances the efficiency in narrow space operations and improves usability.
- The employment of an 8-stage claw ensures strength identical to that of the conventional model (NBR390L) despite its smaller size.
- JIS B 4636-2, ISO 3315.

### 3/8"sq. RATCHET HANDLE (FLEX HEAD)



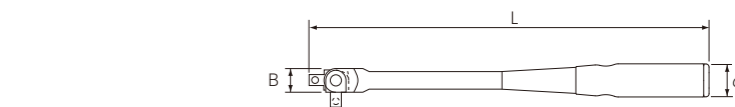
No.	Feed angle	B	φ	T	L	Weight(g)
XNBR390AF	4°	26	22	14	225	295

- Slimming down the conventional head width of 30mm by 4mm not only achieves weight reduction but also enhances the efficiency in narrow space operations and improves usability.
- The employment of an 8-stage claw ensures strength identical to that of the conventional model (NBR390L) despite its smaller size.
- The push button for easy removal/attachment of sockets and other components is convex in shape to make it easy to push.
- The lever is 3-dimensionally shaped for easy fingertip access and improved operability.
- Durable resinous holding section for smooth feeling (Flexible pivoting angle)
- JIS B 4636-2, ISO 3315

### 3/8"sq. BREAKER BAR

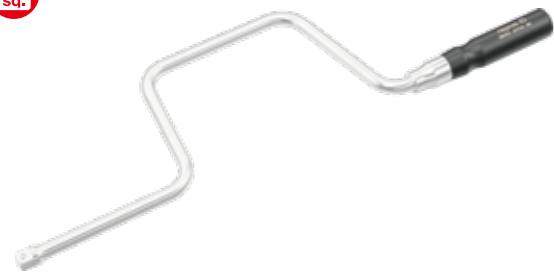


No.	B	Grip diameter (φ)	L	Weight(g)
XNBS3	18	22	300	460

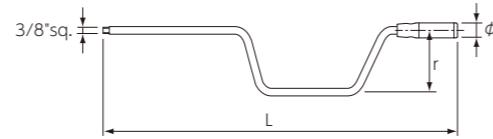


· Function mark is indicated under the product name. For the details, please refer to P.14

### 3/8"sq. SPEEDER HANDLE



No.	r (Turning radius)	Grip diameter (φ)	L	Weight(g)
XBHK3	100	22	418	410

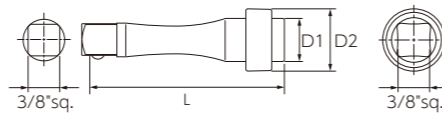


### 3/8"sq. EXTENSION BAR

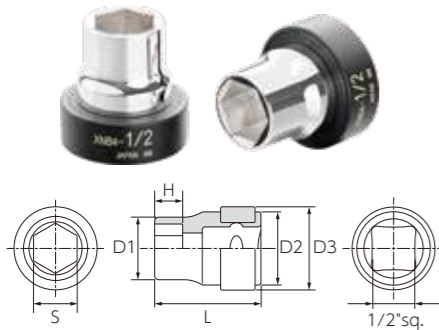


No.	D1	D2	L	Weight(g)
XNBE3-030	17	24	30	32
XNBE3-050	17	24	50	52
XNBE3-075	17	24	75	75
XNBE3-100	17	24	100	96
XNBE3-150	17	24	150	135
XNBE3-300	17	24	300	242

·The streamlined design minimizes the deflection feel in the hand.  
 ·JIS B 4636-2, ISO 3316



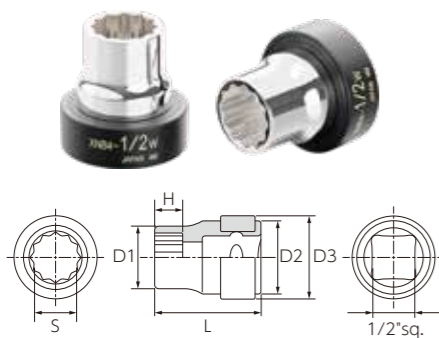
### 1/2"sq. SOCKET (6-point)



No.	S(inch)	D1	D2	D3	H	L	Weight(g)
XNB4-3/8	3/8	13.8	21	28.6	5.5	28.5	35
XNB4-7/16	7/16	15.7	21	28.6	6	29	37
XNB4-1/2	1/2	18.1	21	28.6	7.5	30.5	42
XNB4-9/16	9/16	19.9	21	28.6	8.5	31.5	43
XNB4-5/8	5/8	21.9	21	28.6	9	32	40
XNB4-11/16	11/16	23.9	21	28.6	10	34	59
XNB4-3/4	3/4	26	26	33.4	10.5	34.5	81
XNB4-13/16	13/16	27.6	26	33.4	11.5	35.5	86
XNB4-7/8	7/8	29.4	26	33.4	11.5	35.5	88
XNB4-15/16	15/16	31.4	26	33.4	12	36	97
XNB4-1	1	33.3	26	33.4	13	37	107

·ASME B107.1, ASE AS954-E

### 1/2"sq. SOCKET (12-point)

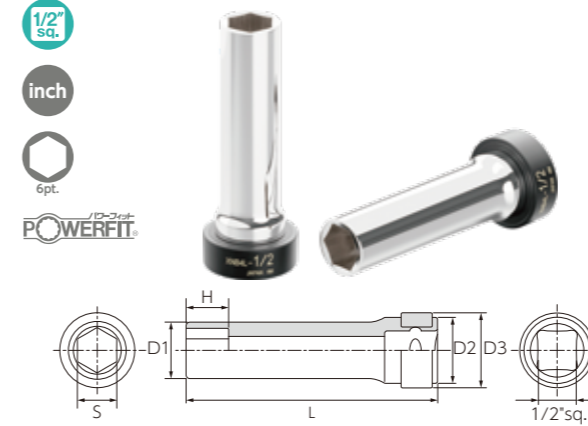


No.	S(inch)	D1	D2	D3	H	L	Weight(g)
XNB4-3/8W	3/8	13.8	21	28.6	5.5	28.5	31
XNB4-7/16W	7/16	15.7	21	28.6	6	29	33
XNB4-1/2W	1/2	18.1	21	28.6	7.5	30.5	38
XNB4-9/16W	9/16	19.9	21	28.6	8.5	31.5	39
XNB4-5/8W	5/8	21.9	21	28.6	9	32	36
XNB4-11/16W	11/16	23.9	21	28.6	10	34	55
XNB4-3/4W	3/4	26	26	33.4	10.5	34.5	77
XNB4-13/16W	13/16	27.6	26	33.4	11.5	35.5	82
XNB4-7/8W	7/8	29.4	26	33.4	11.5	35.5	84
XNB4-15/16W	15/16	31.4	26	33.4	12	36	93
XNB4-1W	1	33.3	26	33.4	13	37	103

·ASME B107.1, ASE AS954-E

· Our products are designed with reference to the standards listed in this catalog.

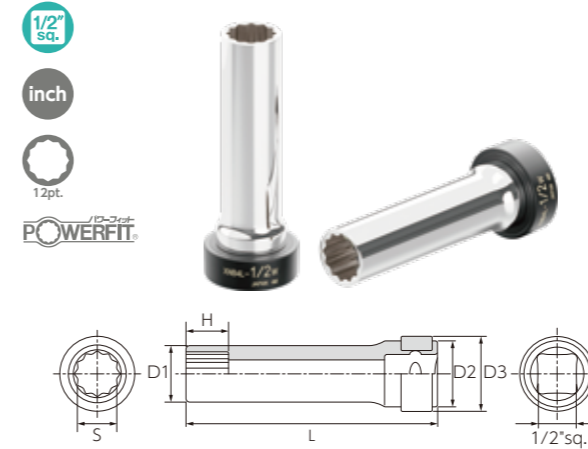
### 1/2"sq. DEEP SOCKET (6-point)



No.	S(inch)	D1	D2	D3	H	L	Weight(g)
XNB4L-3/8	3/8	13.8	21	28.6	11	80	74
XNB4L-7/16	7/16	15.7	21	28.6	12	80	89
XNB4L-1/2	1/2	18.1	21	28.6	14	80	105
XNB4L-9/16	9/16	19.9	21	28.6	17	80	105
XNB4L-5/8	5/8	21.9	21	28.6	17	85	143
XNB4L-11/16	11/16	23.9	21	28.6	17	85	165
XNB4L-3/4	3/4	26	26	33.4	21	85	203
XNB4L-13/16	13/16	27.6	26	33.4	23	85	195
XNB4L-7/8	7/8	29.4	26	33.4	23	85	211
XNB4L-15/16	15/16	31.4	26	33.4	27	85	235
XNB4L-1	1	33.3	26	33.4	30	85	271

·ASME B107.1, ASE AS954-E

### 1/2"sq. DEEP SOCKET (12-point)



No.	S(inch)	D1	D2	D3	H	L	Weight(g)
XNB4L-3/8W	3/8	13.8	21	28.6	11	80	70
XNB4L-7/16W	7/16	15.7	21	28.6	12	80	85
XNB4L-1/2W	1/2	18.1	21	28.6	14	80	101
XNB4L-9/16W	9/16	19.9	21	28.6	17	80	101
XNB4L-5/8W	5/8	21.9	21	28.6	17	85	139
XNB4L-11/16W	11/16	23.9	21	28.6	17	85	161
XNB4L-3/4W	3/4	26	26	33.4	21	85	199
XNB4L-13/16W	13/16	27.6	26	33.4	23	85	191
XNB4L-7/8W	7/8	29.4	26	33.4	23	85	207
XNB4L-15/16W	15/16	31.4	26	33.4	27	85	231
XNB4L-1W	1	33.3	26	33.4	30	85	267

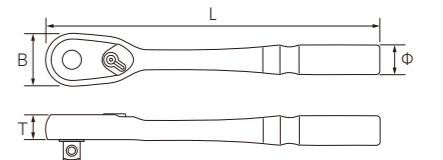
·ASME B107.1, ASE AS954-E

### 1/2"sq. RATCHET HANDLE



No.	Feed angle	B	φ	T	L	Weight(g)
XNBR490	4°	39.5	22	19	250	530

·World's top-class 90-tooth gear, achieving unprecedented smooth movement and strength.  
 ·The head has been downsized, lightened, and optimized for balance, making the ratchet handle even easier to use.  
 ·The use of an 8-stage claw provides the same strength as conventional products despite its small size.  
 ·JIS B 4336-1, ISO 3315

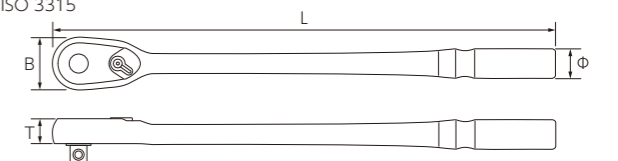


### 1/2"sq. RATCHET HANDLE (LONG)



No.	Feed angle	B	φ	T	L	Weight(g)
XNBR490L	4°	39.5	22	19	375	710

·World's top-class 90-tooth gear, achieving unprecedented smooth movement and strength.  
 ·The head has been downsized, lightened, and optimized for balance, making the ratchet handle even easier to use.  
 ·The use of an 8-stage claw provides the same strength as conventional products despite its small size.  
 ·JIS B 4336-1, ISO 3315

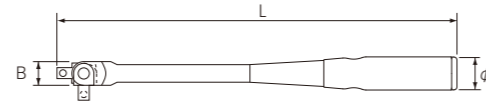


· Function mark is indicated under the product name. For the details, please refer to P.14

1/2"sq. BREAKER BAR



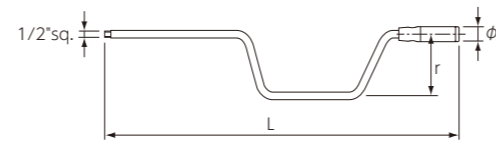
No.	B	Grip diameter (φ)	L	Weight(g)
XNBS4	22	22	400	700



1/2"sq. SPEEDER HANDLE



No.	r (Turning radius)	Grip diameter (φ)	L	Weight(g)
XBHK4	100	22	418	540

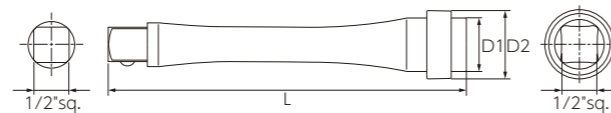


1/2"sq. EXTENSION BAR



No.	D1	D2	L	Weight(g)
XNBE4-075	26	33.4	75	150
XNBE4-150	26	33.4	150	270
XNBE4-300	26	33.4	300	460

The streamlined design minimizes the deflection feel in the hand.  
 · JIS B 4636-1, ISO 3316

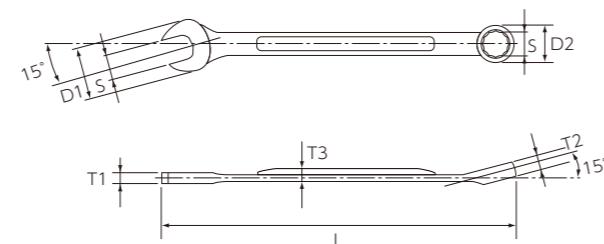


COMBINATION WRENCH



No.	S	D1	D2	T1	T2	T3	L	Weight(g)
XNMS2-1/4	1/4	14	10.5	3.5	4.7	4.3	105	15
XNMS2-5/16	5/16	17	12	4	5.2	4.7	125	25
XNMS2-11/32	11/32	19	13.5	4.5	5.7	4.9	135	35
XNMS2-3/8	3/8	20	14	4.5	6.2	5.1	145	40
XNMS2-7/16	7/16	23	16.5	5	6.2	5.3	160	55
XNMS2-1/2	1/2	27	18.5	6	7.7	6	180	85
XNMS2-9/16	9/16	29	20	6.5	8.7	6.3	190	95
XNMS2-5/8	5/8	33	23	7	9.2	6.7	215	130
XNMS2-11/16	11/16	36	25	7.5	9.7	7	235	185
XNMS2-3/4	3/4	39	27	8.5	10.7	7.4	255	230
XNMS2-13/16	13/16	43	30	8.5	12.2	7.4	288	260
XNMS2-7/8	7/8	45	31.5	9	12.7	7.5	303	295
XNMS2-15/16	15/16	49	34	9.5	14.7	7.7	335	355
XNMS2-1	1	52	35.5	10	15.2	7.8	350	395

The wrench head features a novel design aimed at preventing jaw spreading, while the compact outer diameter of the box, coupled with the Power Fit concept, synergistically combines their benefits to deliver optimal performance. \* The rise angle of the box section is set at a user-friendly 15 degrees.



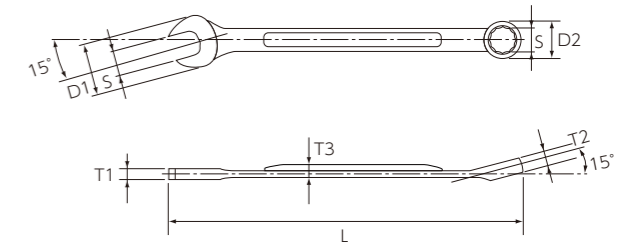
· Our products are designed with reference to the standards listed in this catalog.

COMBINATION WRENCH (LONG)



No.	S	D1	D2	T1	T2	T3	L	Weight(g)
XNMS2L-1/4	1/4	14	10.5	3.5	4.7	4.3	130	20
XNMS2L-5/16	5/16	17	12	4	5.2	4.7	150	30
XNMS2L-11/32	11/32	19	13.5	4.5	5.7	4.9	155	35
XNMS2L-3/8	3/8	20	14	4.5	6.2	5.1	165	45
XNMS2L-7/16	7/16	23	16.5	5	6.2	5.3	185	65
XNMS2L-1/2	1/2	27	18.5	6	7.7	6	205	95
XNMS2L-9/16	9/16	29	20	6.5	8.7	6.3	220	110
XNMS2L-5/8	5/8	33	23	7	9.2	6.7	250	150
XNMS2L-11/16	11/16	36	25	7.5	9.7	7	270	205
XNMS2L-3/4	3/4	39	27	8.5	10.7	7.4	290	255
XNMS2L-13/16	13/16	43	30	8.5	12.2	7.4	325	290
XNMS2L-7/8	7/8	45	31.5	9	12.7	7.5	340	325
XNMS2L-15/16	15/16	49	34	9.5	14.7	7.7	375	395
XNMS2L-1	1	52	35.5	10	15.2	7.8	390	465

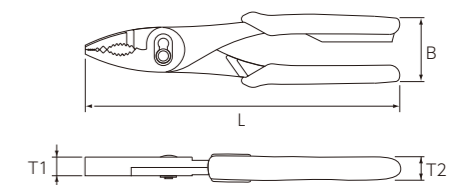
The wrench head features a novel design aimed at preventing jaw spreading, while the compact outer diameter of the box, coupled with the Power Fit concept, synergistically combines their benefits to deliver optimal performance. \* The rise angle of the box section is set at a user-friendly 15 degrees.



COMBINATION PLIER

No.	B	T1	T2	L	Weight(g)
XPJ-200	50	11	17	200	320

Soft grip is easy to grip and gentle on the hand.  
 · Pinching portion is a two-stage shape that easily grips both thin and thick objects.  
 · Grip end does not close completely to prevent hands from being caught in the grip.

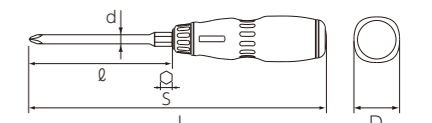


SCREWDRIVER (CROSS HEAD)



No.	Size	d	D	S	ℓ	L	Weight(g)
XND1P-1	No.1	5.5	32	8	70	174	112
XND1P-2	No.2	6.3	33	10	95	209	170
XND1P-3	No.3	8	35	12	145	269	250

The grip is designed in a square shape for ease of rapid turning.  
 · Adoption of a dual-structure grip creates a better fit.  
 · The end is equipped with a magnet.  
 · The tip, designed to minimize the gap with the screw to the utmost extent, resists slippage and ensures reliable torque transmission.



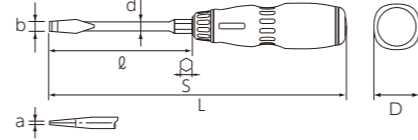
· Function mark is indicated under the product name. For the details, please refer to P.14

**SCREWDRIVER (FLAT HEAD)**



No.	a	b	d	D	S	ℓ	L	Weight(g)
XND1M-5	0.8	5.5	5.5	32	8	70	174	112
XND1M-6	1	6.3	6.3	33	10	95	209	170
XND1M-8	1.2	8	8	35	12	145	269	250

- The grip is designed in a square shape for ease of rapid turning.
- Adoption of a dual-structure grip creates a better fit.
- The end is equipped with a magnet.
- The tip, designed to minimize the gap with the screw to the utmost extent, resists slippage and ensures reliable torque transmission.

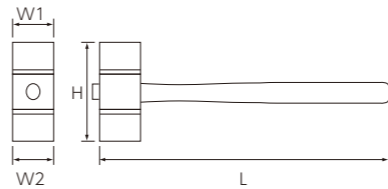


**COMBINATION HAMMER**



No.	Size	Head Material	L	W1	W2	H	Weight(g)
XUD6-10	1 lb	Iron, resin	300	33	32	100	610

- A tapered handle shape that fits comfortably in the hand and increases work efficiency.
- A combination hammer made of both metal and resin that allows for two types of work with a single tool.



**KYOTO TOOL CO., LTD.**

Established in 1950, Kyoto Tool is a leading hand tool manufacturer in Japan. In addition to the 2 major brands, KTC and nepros, Kyoto Tool also expands its TRASAS brand as an IOT tool. Recently, Kyoto Tool has successfully introduced nepros ID, a revolutionary line of tools with RFID embedded in manufacturing process, through a joint development with a world-leading company in industrial RFID, aiming for a new direction in tools pioneering the IoT era. To maintain product quality, Kyoto Tool conducts in-house integrated production, the high technical expertise has garnered attention worldwide.



**Our History**

Since its founding in 1950, the history of KTC has been a history of pursuing the ideal in tool craftsmanship.



**Business**

Supplying proven, high-quality tools to industries including aviation, aerospace, automotive, motorcycle, construction, and manufacturing.



**Product lineup**

KTC offers a diverse product lineup, including conventional hand tools, measuring devices, and the world's first RFID-embedded tools.



**Brands**

KTC offers four brands: KTC Standards, nepros, nepros ID, and TRASAS.



A tool series proudly bearing our company name, with quality supported by more than 70 years of history.



Our flagship brand for advanced professional mechanics, dedicated to delivering the highest functionality, performance, and superior operability.



A solution comprising software and tools equipped with electronic components for traceability, sensing and analysis, such as torque control, via communication with the customer's host system.



World's First Tools with Embedded RF Technology: Hand tools have entered the next generation.

· Our products are designed with reference to the standards listed in this catalog.

**Symbols**



1/4"sq. drive size



6-point



3/8"sq. drive size



12-point



1/2"sq. drive size



Cross head



90-tooth gear



Flat head



Inch size



Magnet



Union mechanism



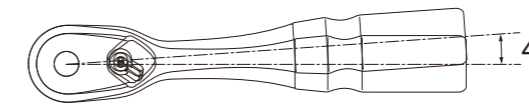
Power Fit



Flex type



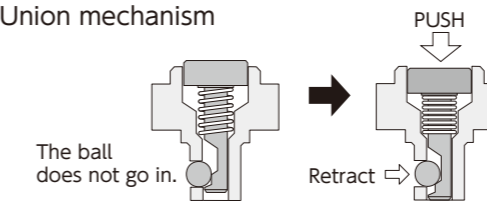
Number of gear tooth



Gears such as those found in ratchet handles have a smaller feed angle as the number of teeth increases. For instance, in the case of a gear with 90 teeth, the feed angle of the handle would be 360° divided by 90 teeth, which equals 4°.



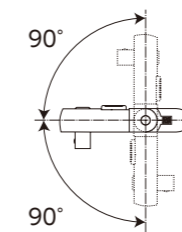
Union mechanism



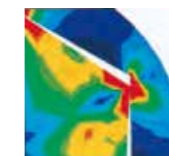
The quick-release mechanism, known as the Union Lock, is designed to securely hold sockets in place on a ratchet handle. By pressing the button, the lock between the ratchet handle and the socket is disengaged, allowing for easy removal of the socket.



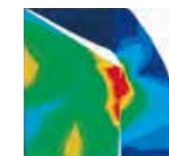
Flex type



The head of a ratchet handle or spanner wrench can pivot 90 degrees upwards and downwards. This flexibility enables maneuverability around obstacles, even in tight spaces where the handle cannot swing freely, ensuring uninterrupted work.



Linear contact



Surface contact

All key items employ an enhanced "Power Fit" design to achieve optimal surface contact. This design shifts from traditional linear contact to surface contact at the interface between bolts, nuts and wrenches, thereby mitigating stress concentration, minimizing damage to the edges of bolts and nuts, and ensuring more reliable work. This design principle is applied not only to the socket end (6-point, 12-point) but also to the drive end (square shape).