

Pick up 3/4"sq. and 1"sq. socket wrench set

**NEW**  
3/4"sq. SOCKET WRENCH SET [19pcs.]



No.	Weight (kg)	□	MSRP
TB619B	14.1	1	¥ 92,500
Set includes			
3/4"sq. socket (dodecagon)	B6-22W, 23W, 24W, 26W, 27W, 29W, 30W, 32W, 35W, 36W, 38W, 41W, 46W, 50W, 54W, 55W		
Ratchet handle	BR6A		
3/4"sq. extension bar 125	BE6-125		
3/4"sq. extension bar 200	BE6-200		
Metal case	B4110-MA(W545×D185×H85)		

\*Equivalent to TB619A

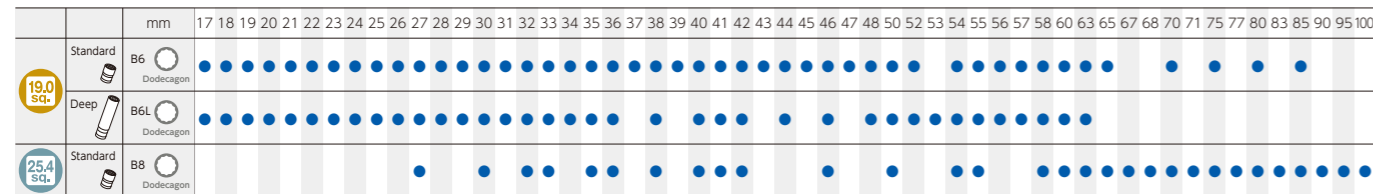
**NEW**  
1"sq. SOCKET WRENCH SET [12pcs.]



No.	Weight (kg)	□	MSRP
TB812	15.6	1	¥ 147,900
Set includes			
1"sq. socket (dodecagon)	B8-30W, 32W, 33W, 36W, 38W, 41W, 46W, 50W, 55W, 58W		
1"sq. extension bar 200	BE8-200		
1"sq. extension bar 400	BE8-400		
Metal case	B4110-MA(W545×D185×H85)		

Lineup of 3/4"sq. and 1"sq. sockets

Size of sockets (mm)



Size of sockets (in)



**KTC KYOTO TOOL CO., LTD.**

128 Sayama-Shinkaichi, Kumiyama-cho Kuse-gun, Kyoto 613-0034, Japan

Contact: contact@kyototool.co.jp Official site: en.ktc.jp

- All sizes on this leaflet are indicated as millimeter unless mentioned.
- There might be size differences between those mentioned on this leaflet and the actual products but they are under our specification.
- Product design might be changed for the improvement.



SOLUTION

3/4"sq./1"sq. TORQULE

CONVENTIONAL TOOLS

TORQUE MULTIPLIER



Save manpower and improve the quality by automatic recording of the torque when you tighten/loosen the large nuts and bolts!

**Easily tighten/loosen the large nuts and bolts**

Introduction effects of torque multiplier

- ☑ It is easy to put high torque even if it is in the narrow space.
- ☑ It is small, so you can use it in the small room.
- ☑ It is manual and no noise. You do not need the power supply.

**Automatic recording and management for tightening torque**

Introduction effects of TORQULE

- ☑ Your conventional tools will become torque wrenches.
- ☑ You do not need to write down the torque because it automatically records it by itself.
- ☑ It decreases the mistakes of writing down, so it improves the working quality.

\*You need the laptop installed the free app.

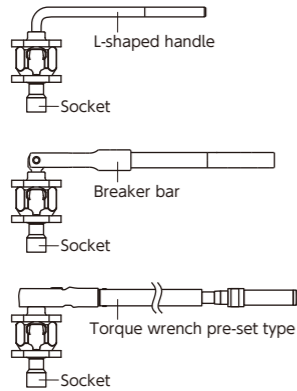


# 3/4"sq./1"sq. TORQULE

Save the money and improve quality by connecting with other tools or systems

## You can use with your own tools

You can use it as torque wrench by using with your tools such as ratchet handle, spinner handle, or L-shaped handle.



## Check the torque on your computer

You can record the measured torque value automatically by using our app (for GNA1000/GNA2000) which will enable you to achieve the work traceability.

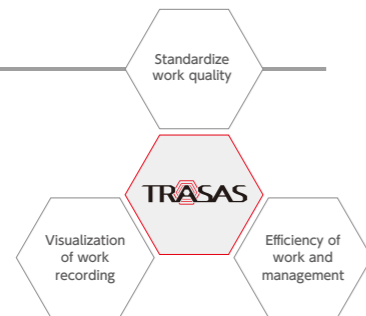


<https://ktc.jp/download>  
\*Japanese version only



## Provide you with the solutions

Work traceability will help you to achieve not only the product quality and operators' safety but also your corporate value.



## Find the example and process of TRASAS

You can see the companies which use TRASAS. You will know how to start to use TRASAS in "smart fitting."



\*Japanese version only



No.GNA1000-06

No.GNA1000-08  
No.GNA2000-08

NEW

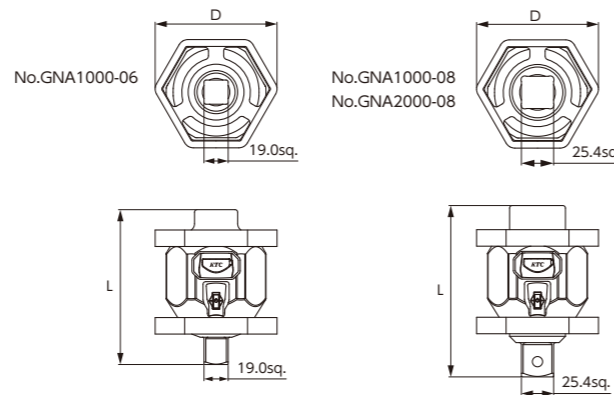
## 3/4"sq./1"sq. TORQULE



No.	Torque measurement range (N·m)	Sq. size	D	L	Weight (kg)	⊖	MSRP
GNA1000-06	200-1,000	19.0	96	122	1.4	1	¥ 220,000
GNA1000-08	200-1,000	25.4	96	135	1.6	1	¥ 220,000
GNA2000-08	400-2,000	25.4	96	135	1.6	1	¥ 220,000

- Measurement accuracy: ±3%+1digit (digit=minimum unit)
- Measurement way: Right screw and left screw
- Minimum unit: 1N·m
- Power: Lithium polymer battery
- Bluetooth: Bluetooth®4.1
- Attachment: Charging cable

\*When you use it, you need your computer which is installed a specific app.  
The app can be downloaded for free from our website(<https://ktc.jp/download>).  
App name: GNA1000/2000  
Recommending OS: Windows 10(June, 2022)  
\*This app is compatible with Windows but not every device.  
\*Please prepare charger with PSE mark.  
\*The attached charging cable is Type-A × micro USB Type-B.  
\*Serial number will be changed after the repairs.  
\*Battery is not repairable.



Example	12.7sq. ratchet handle		19.0sq. ratchet handle		Torque wrench	
	BR4L	BR6A	GW200-04	CMPB8008		
Torque multiplier	GAP1000-46		GAP2000-68		GAP1000-46	
TORQULE	GNA2000-08		GNA1000-08			
Socket	B6-38W		B8-58W		B6-38W B8-33W	
MSRP	¥121,480		¥385,000		¥141,400 ¥378,810	
Recommendation	Maintenance of industrial machine		Bolts of construction equipment, heavy equipment, and vessel engine, pipe, and flange		Changing large tires	



No.GAP1000-46

Come with plastic case

NEW

## TORQUE MULTIPLIER

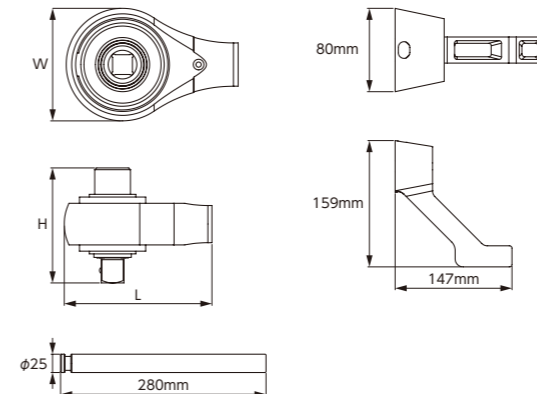


No.	Input maximum torque (N·m)	Output maximum torque (N·m)	Sq. size (input)	Sq. size (output)	L	H	W	Weight (kg)	⊖	MSRP
GAP1000-46	200	1,000	12.7	19.0	165	129	108	4.0	1	¥ 110,000
GAP1000-48	200	1,000	12.7	25.4	165	129	108	4.1	1	¥ 110,000
GAP2000-68	400	2,000	19.0	25.4	165	129	108	4.2	1	¥ 120,000

- You use it for tightening/loosening nuts and bolts at 300 to 2,000N·m for such as train, vessel, trucks. It is good for the M18 to 36 screw.
- Planetary gear mechanism makes your power 5 times larger. You can work with less power, and longer handle doesn't need for making power.
- It is hand tool. You can save energy because it works without electricity and air. Also, there will be no noise during the work.
- A torque multiplier works for both tightening and loosening.



- Use it for the acceptable torque.
- Do not use with electronic tools.
- Do not hit with a hammer.
- Do not take your hand off while using.
- Do not touch the attached arm and bar.

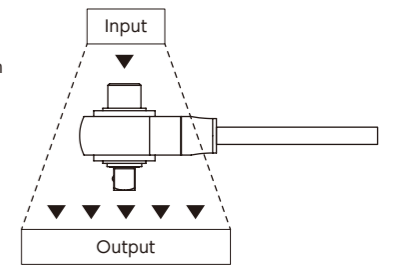


# TORQUE MULTIPLIER

Save manpower of tightening/loosening bolts from 300 to 2,000N·m

## Small power makes 5 times torque

Usually, you need more power than your weight or long conventional tools when you tighten/loosen the nuts and bolts which are over 300N·m. However, you can reduce the workload if you use this torque multiplier.



## Improve your work efficiency in the narrow space by the compact torque wrenches or driving tools

It is difficult to tighten/loosen bolts in the narrow space, but you can tighten/loosen the large nuts and bolts if you use torque multiplier.



## Save workload at the various work and industries

It comes with 2 different attachments for receiving reactive force to the direction of rotation at adjoin nuts and bolts. You can choose them depending on where you use.



Size : L266×W108×H189  
Weight : About 5.5kg (Body+Arm)



Size : L379×W108×H129  
Weight : About 5.2kg (Body+Bar)

